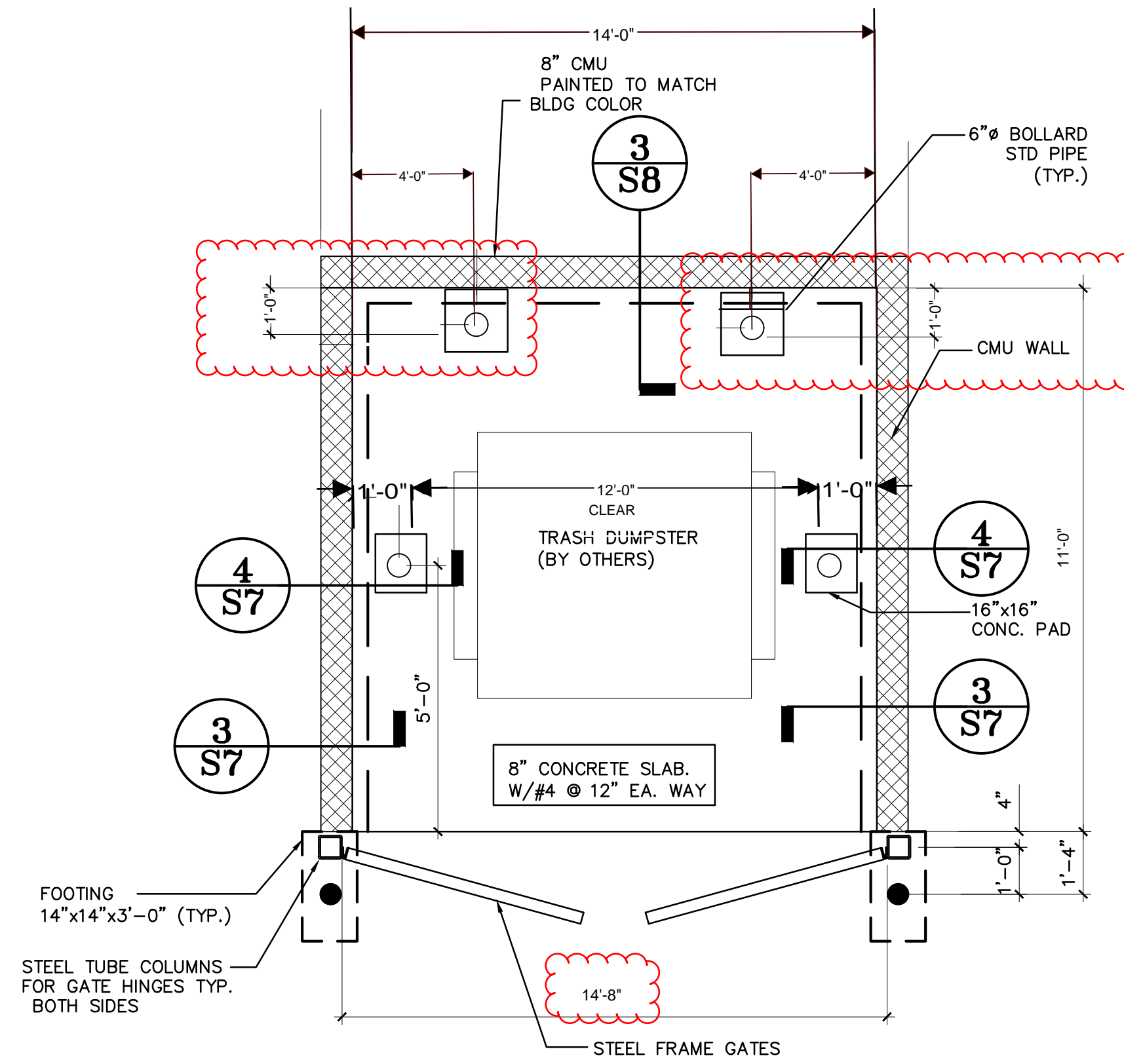
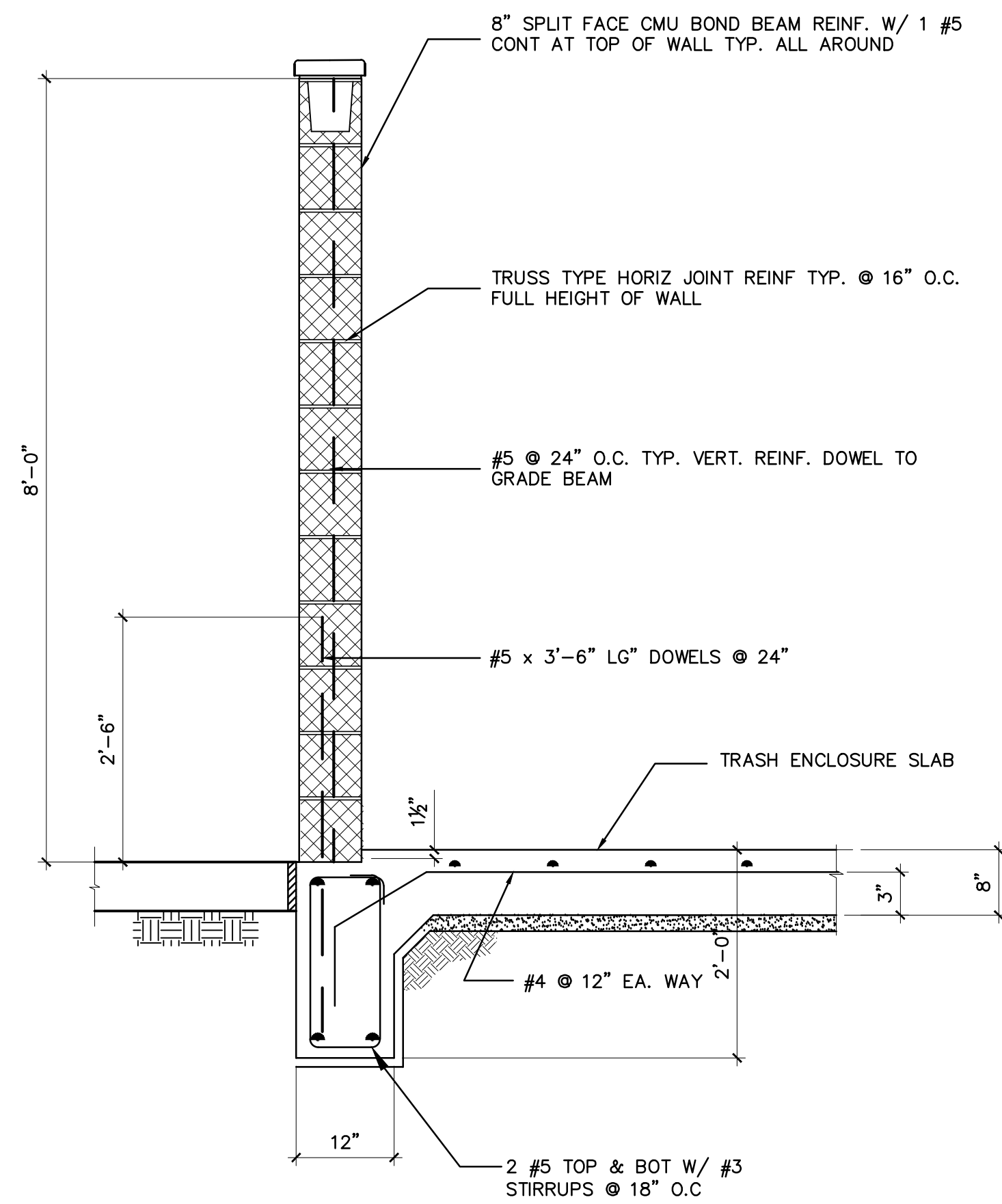


1 TRASH ENCLOSURE GATE ELEV.

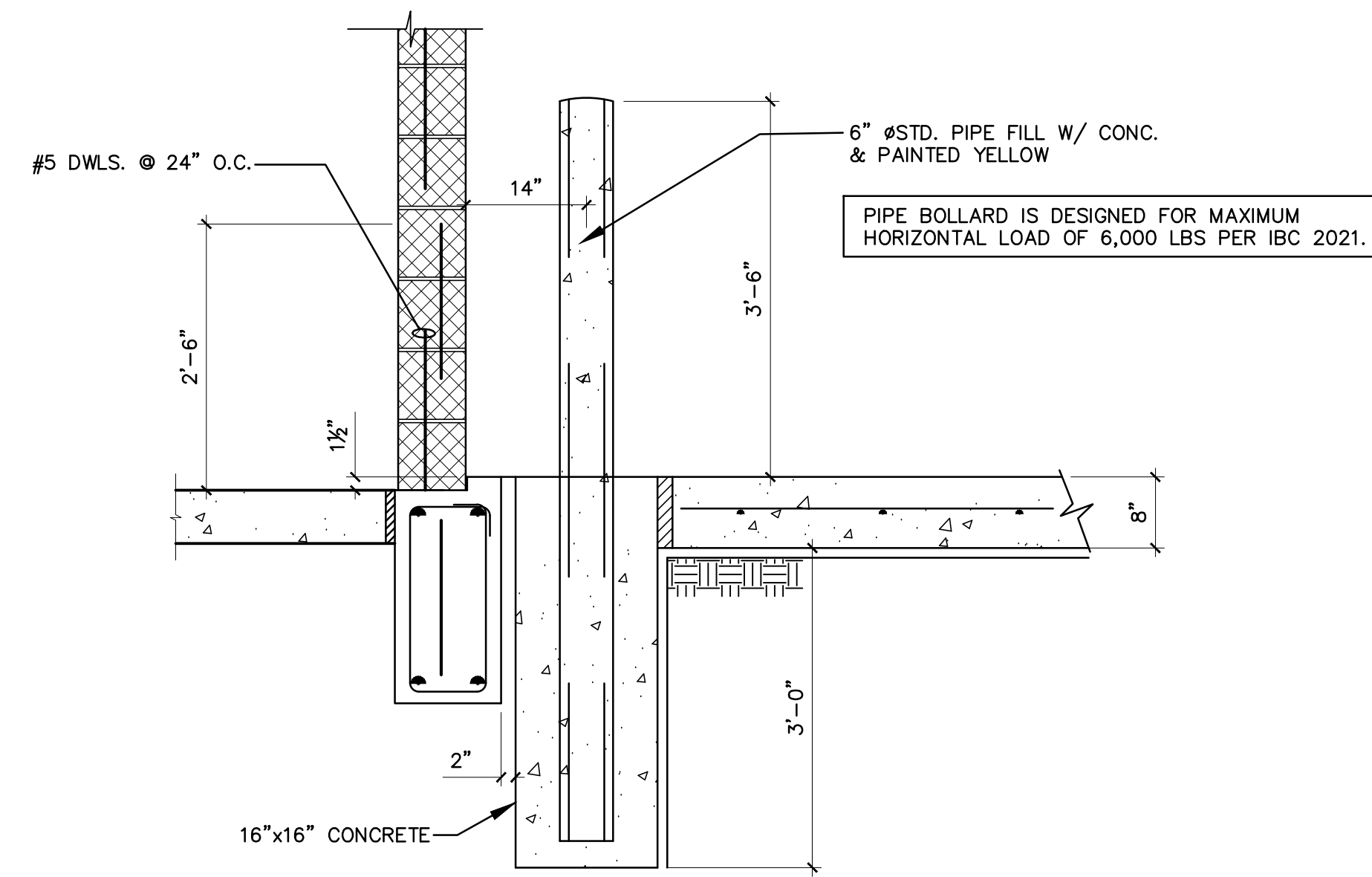


DUMPSTER ENCLOSURE IS DESIGNED FOR ULTIMATE DESIGN WIND SPEED 139 MPH, RISK CATEGORY II AS PER IBC 2021

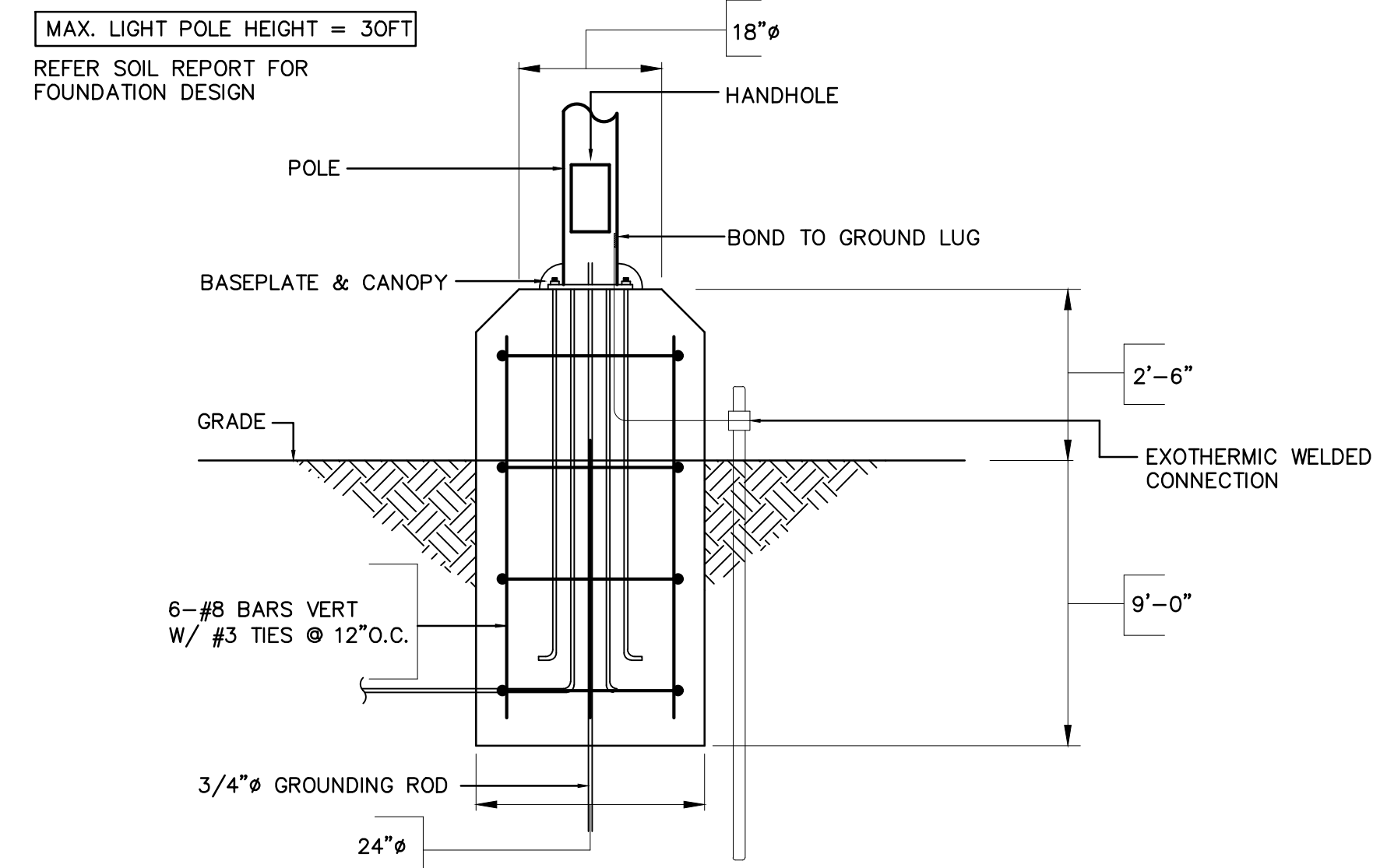
2 DUMPSTER ENCLOSURE PLAN



3 TRASH ENCLOSURE WALL/ FOUNDATION



4 SECTION: BOLLARD & WALL



NOTE:
THIS IS BASE DETAIL IS FOR GENERAL INFORMATION ONLY. CONTRACTOR SHALL VERIFY WITH THE PARKING LIGHTS VENDOR FOR FINAL INSTALLATION DETAIL, PERFORM AS PER REQUIREMENTS.

POLE FOUNDATION IS DESIGNED FOR 139 MPH WIND SPEED RISK CATEGORY II.

5 LIGHT POLE BASE

DUMPSTER PLAN & DETAILS

SHOPS AT BLINN

2100 E 29TH STREET
BRYAN TEXAS 77802

ISSUE HISTORY

DATE	ISSUED FOR
02/23/26	PERMIT

02/23/2026



PE BUILDINGS
BRIDGES
INSPECTIONS
MARINE STRUCTURES
CIVIL ENGINEERING &
STRUCTURAL ENGINEERING

**PARAMOUNT
ENGINEERING
LLC**

10145 LONG POINT DR.
HOUSTON, TX 77043
TEL : (713) 636-9977
FAX : (713) 888-9872
CEL : (713) 204-1742

TBPE REGISTRATION # F-3394

DRAWN BY: NM CHECKED BY: MM

PROJ. NO.: PE25-240

SHEET: **S7**